

SITE OF THE NEW
SAN RAMON
CIVIC / CITY CENTER
ALSO MIXED HOUSING

OPEN AREA
FUTURE OFFICE COMPLEX

PLAN

Scale 1" = 100'



NOTES :

1. Recent widening of Bollinger Canyon Road incorporated in plan.
2. Scaled dimensions shown in brackets (...)

LEGEND :

- G: Gas
- PH: Phone

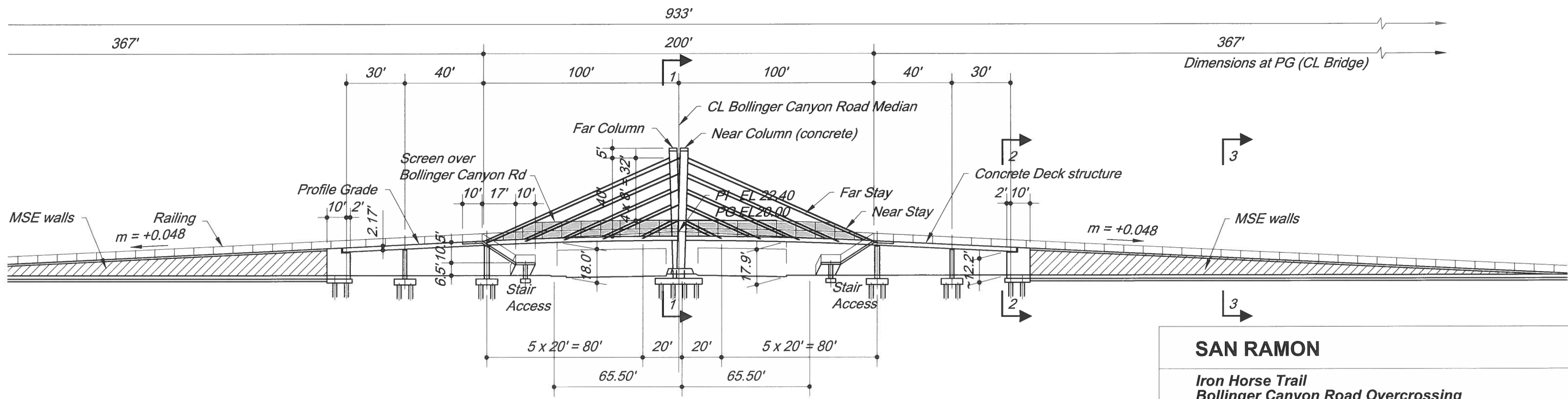
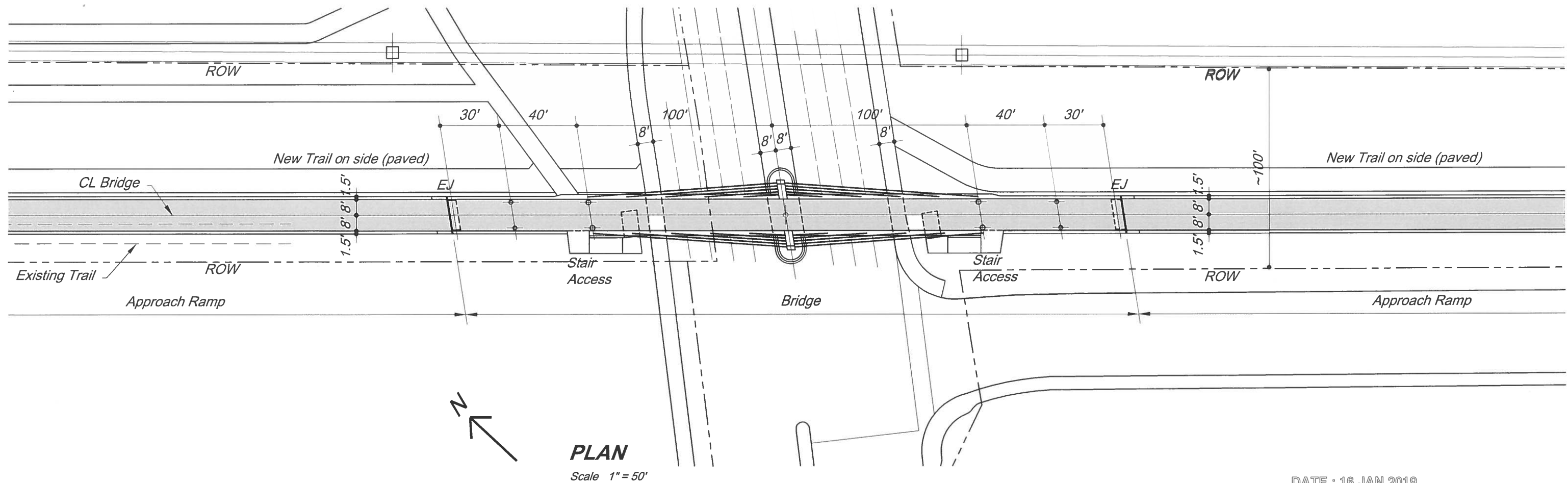
SAN RAMON

**Iron Horse Trail
Bollinger Canyon Road Overcrossing**

Site Plan

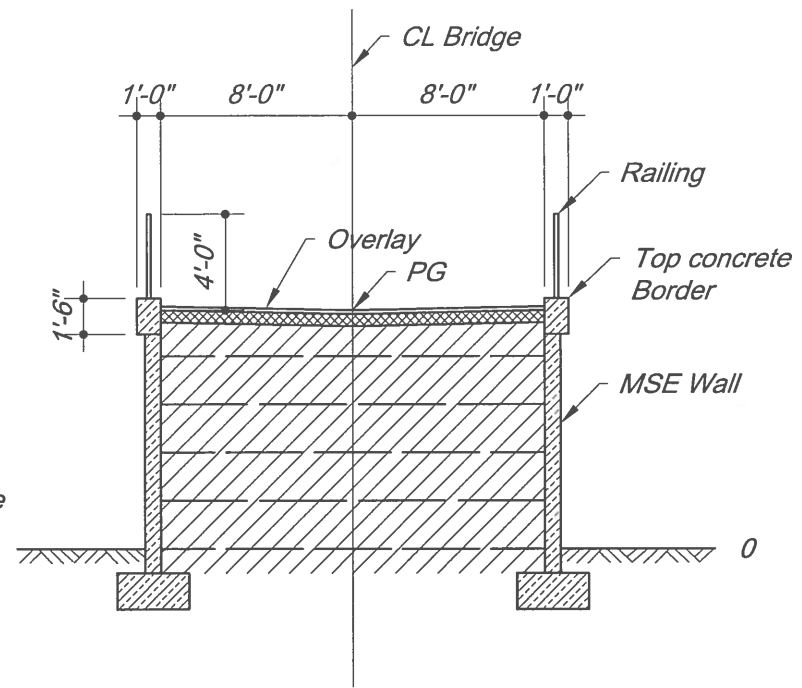
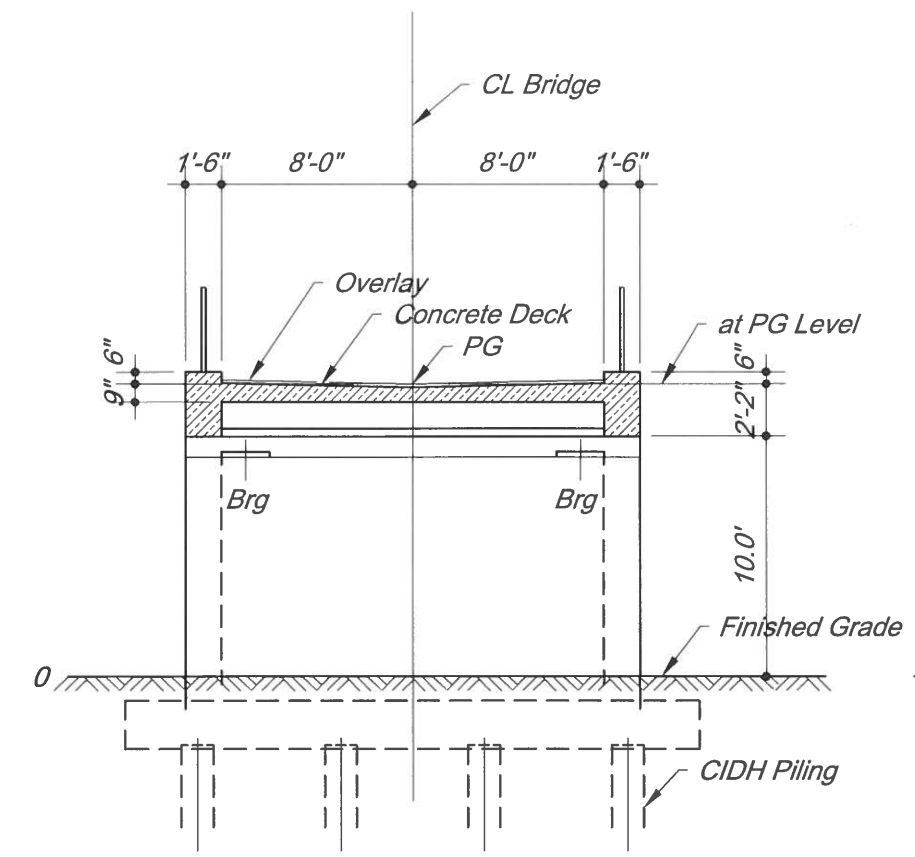
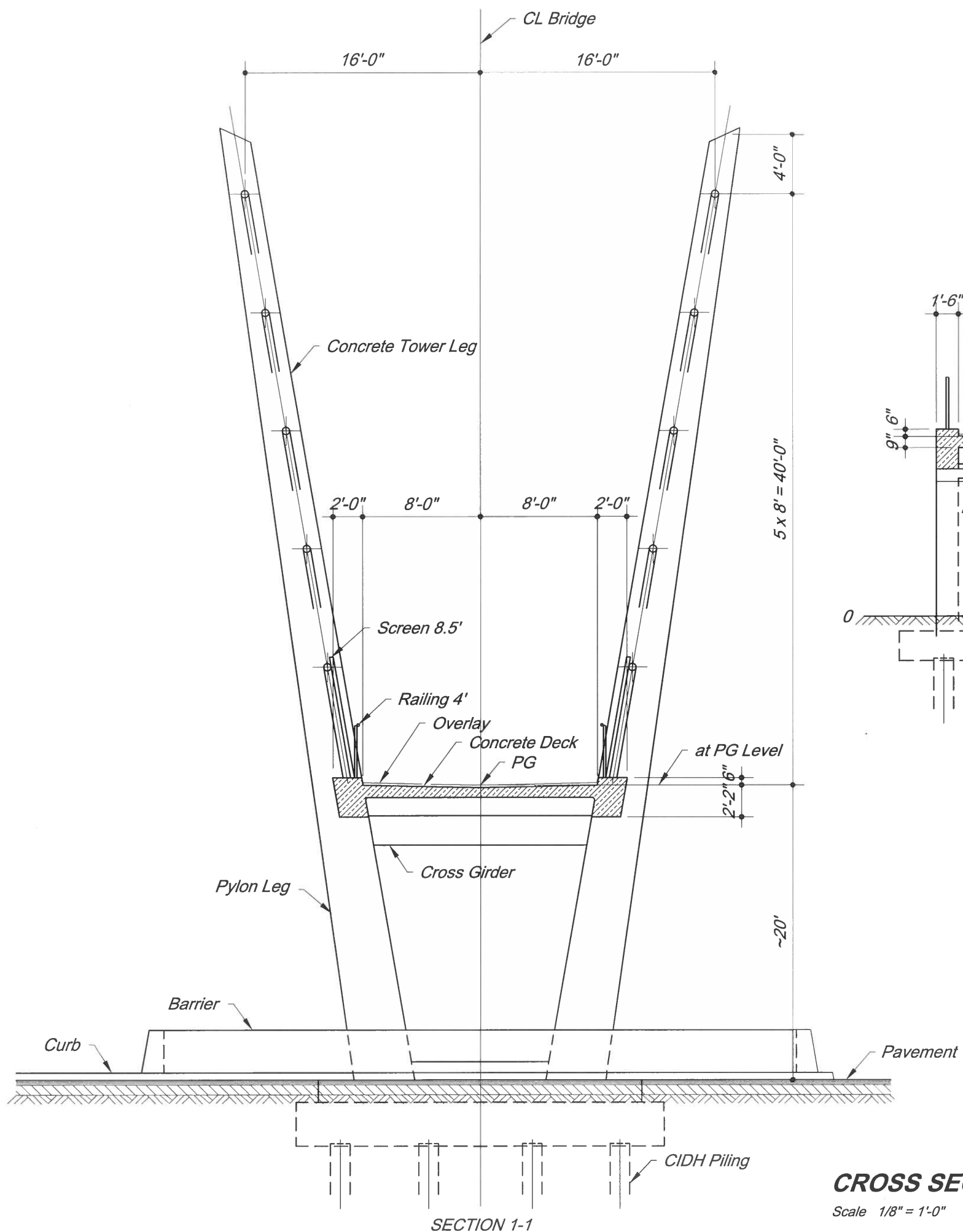
KK Dec 2018

S02



SAN RAMON
Iron Horse Trail Bollinger Canyon Road Overcrossing
Option 1 : Pylon in Bollinger Median
General Plan / Elevation
KK Dec 2018

S08



SECTION 2-2

SECTION 3-3

CROSS SECTIONS
Scale 1/8" = 1'-0"

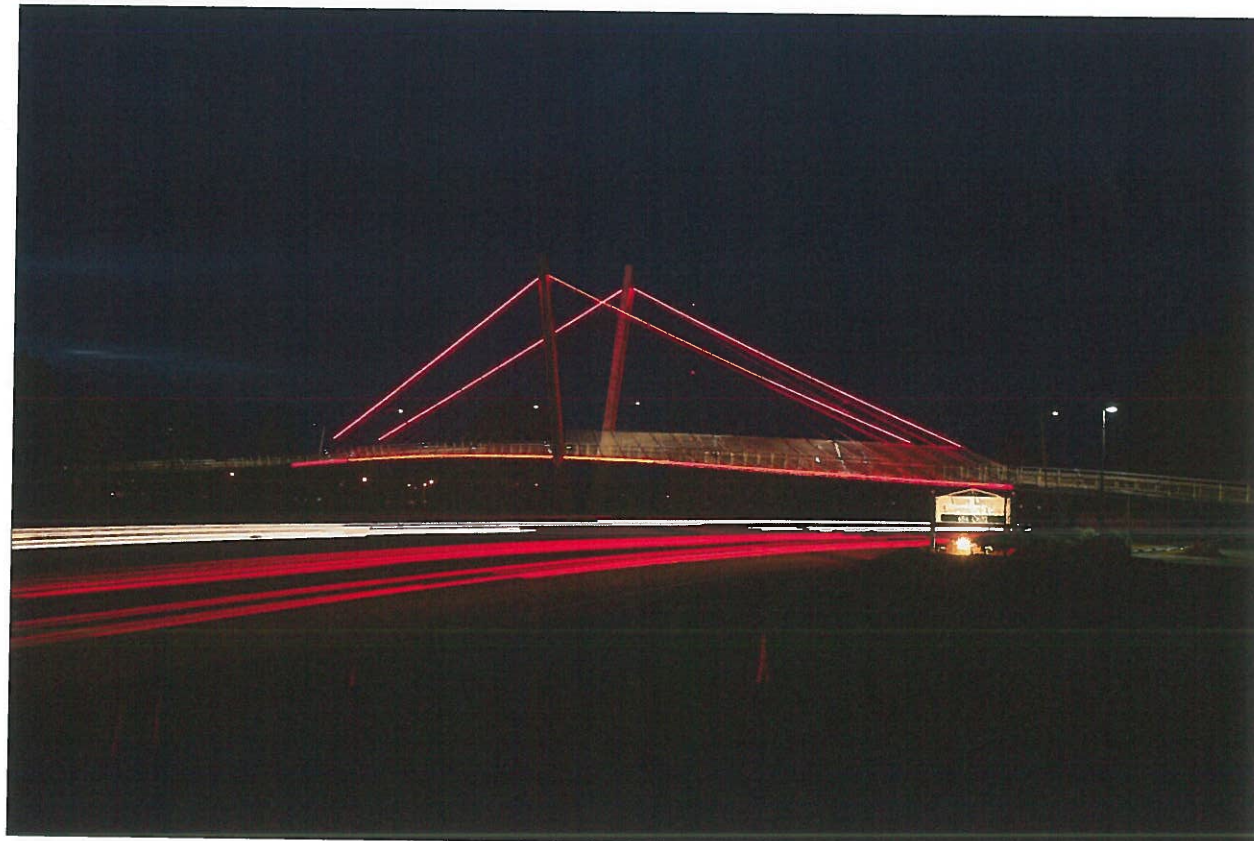
SAN RAMON
Iron Horse Trail Bollinger Canyon Road Overcrossing
Option 1 : Pylon in Bollinger Median
Cross Sections
KK Dec 2018



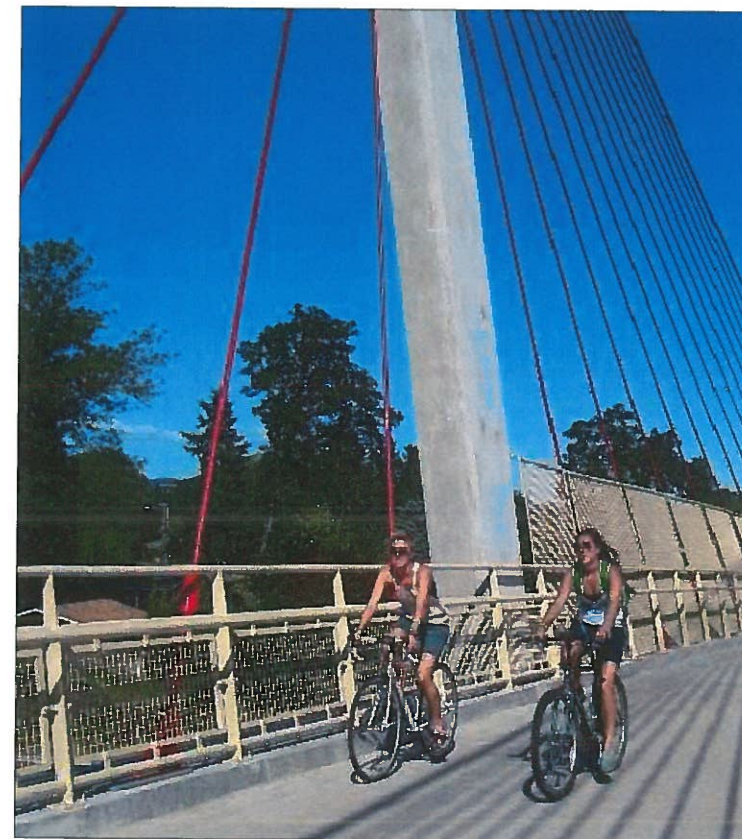
DELTA PONDS - EUGENE, OREGON 2010



DELTA PONDS



DELTA PONDS



DELTA PONDS

SAN RAMON

*Iron Horse Trail
Bollinger Canyon Road Overcrossing*

Pylon in Median Examples



PLATE P02 OPTION 1 - CABLE STAY, PYLON ON BOLLINGER CANYON ROAD MEDIAN

SAN RAMON

*Iron Horse Trail
Bollinger Canyon Road Overcrossing*

Option 1

Cable Stay - Pylon on Bollinger Median

KK Feb 2019

P02